

# MAVIC COSMIC SLR 45 DISC

1  
2022  
FRONT

ASTM CATEGORY 2 : road and offroad with jumps less than 15cm

For a longer longevity of the wheel, Mavic recommends that the total weight supported by the wheels doesn't exceed 120kg, bike included

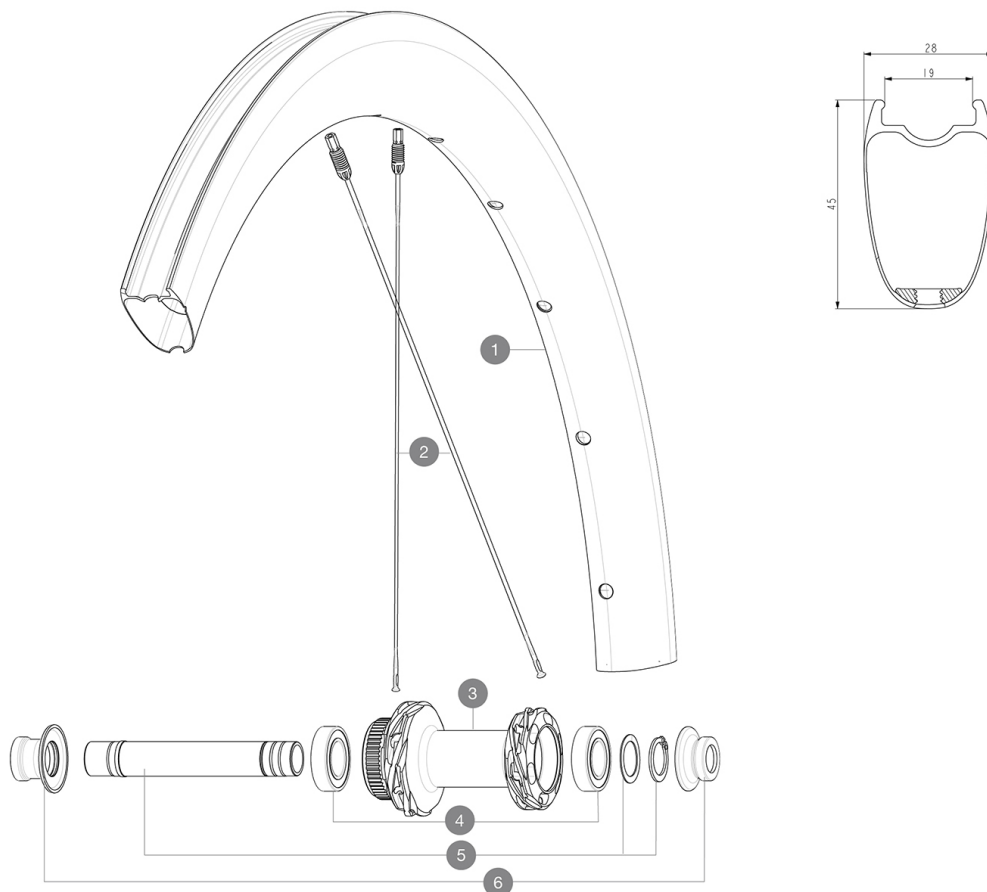
Maximum tyre pressure: 6.75bar/97PSI with a 23mm tyre - 3.8bar/55PSI with a 62mm tyre

Recommended tyre sizes: 25 to 32 mm

Max. Pressure: see indication on wheel and tyre. If they differ, use the lowest of the 2

## REFERENCES WHEELS

F93061 COS SLR45 CL 700 12X100



## RIMS



&NBSP;:

1 V4095015 Kit Front/Rear rim Cosmic SLR 45 Disc MY22

## SPOKES

2 V4163701 Kit 12 Front/Rear Cosmic SLR 45 Disc aero stainless spoke 27

## HUB SHELLS

3 N/A HUB BODY  
4 M40129 KIT 2 BEARINGS 6902 15x28x7  
5 V2373301 KIT QRM AUTO FRONT AXLE 12mm > 2019

## ADAPTERS

6 V2374701 KIT FRONT ROAD FORK REST 12mm FOR J BENT DISC HUB  
V2680301 "Kit Ft Road Adapter 12 >> 9mm"

# MAVIC COSMIC SLR 45 DISC

## DELIVERED WITH

UST valve and accessories (129 838 01)	
UST valve and accessories (129 838 01)	
User guide	
User guide	

## COMPATIBILITY

Freewheel: Shimano/Sram, convertible to Campagnolo ED11, N3W and XD-R with optional driver bodies	
Rear axle: 12mm thru axle, convertible to Quick Release with optional adapters and axle replacement	
Front axle: 12x100 thru axle, easily convertible to quick release with optional adapters. Not compatible with 15mm through axles	
Freewheel body: convertible SRAM XD road (kit V2580101 sold separately)	
Freewheel body: convertible SHIMANO HG light road (kit V3850101 sold separately)	
Freewheel body: convertible SHIMANO MS (kit V3990101 sold separately)	
Freewheel body: convertible CAMPAGNOLO ED (kit V3440101 sold separately)	
Freewheel body: convertible CAMPAGNOLO N3W (kit V4270101 sold separately)	

## Specifications

### RIMS

- **Material** : 100% carbon fiber with UD<sup>2</sup> external layer
- **Material** : 100% carbon fiber with UD<sup>2</sup> external layer
- **Material** : 100% carbon fiber
- **Height** : 45 mm
- **Height** : 45 mm
- **Internal width** : 19 mm

Disc brake specific profile

Fore Carbon tapeless tubeless technology

- **Tire** : UST Tubeless and tubetype

• **Internal width** : 19 mm

Disc brake specific profile

• **ETRTO size** : 622x19TC

• **ETRTO size** : 622x19TC

- **Tire** : UST Tubeless and tubetype

Fore Carbon tapeless tubeless technology

UST tubeless technology

### SPOKES

- **Material** : steel
- **Material** : steel
- **Shape** : straight pull, elliptical aero, double butted (patented)
- **Shape** : straight pull, elliptical aero, double butted (patented)
- **Nipples** : Fore integrated aluminum
- **Nipples** : Fore integrated aluminum
- **Count** : 24 front and rear
- **Count** : 24 front and rear
- **Lacing** : front and rear crossed 2, contactless
- **Lacing** : front and rear crossed 2, contactless

### WHEEL HUB

- **Body** : aluminum
- Infinity hubs
- **Front and rear bodies** : aluminum
- **Axle material** : aluminum
- Instant Drive 360 freewheel technology
- QRM Auto bearing preload technology
- **Front** : Quick release and 12x100 through axle compatible

• **Rear** : Quick Release, 12x142 and 12x135 compatible

Hub available for Center Lock brake rotors only

• **Body design** : INFINITY

• **Disc standard** : Center Lock<sup>®</sup> only

• **Axle material** : aluminum

• **Axle size** : front 12x100 / rear 12x142 -

Convertible to quick release with included adapters

• **Axles** : Front 15X110 (Boost) or 15x100 ; Rear

12X148 (Boost) or 12x142

• **Freewheel** : Shimano HG road

• **Freewheel** : FTS-L steel

### VERSIONS

• **Disc standard** : Center Lock<sup>®</sup> only

• **Freewheel** : Shimano/Sram

### WHEEL WEIGHTS

655