

MAVIC **COSMIC SLR 45 DISC**

ASTM CATEGORY 2 : road and offroad with jumps less than 15cm

For a longer longevity of the wheel, Mavic recommends that the total weight supported by the wheels doesn't exceed 120kg, bike included

Maximum tyre pressure: 6.75bar/97PSI with a 23mm tyre - 3.8bar/55PSI with a 62mm tyre

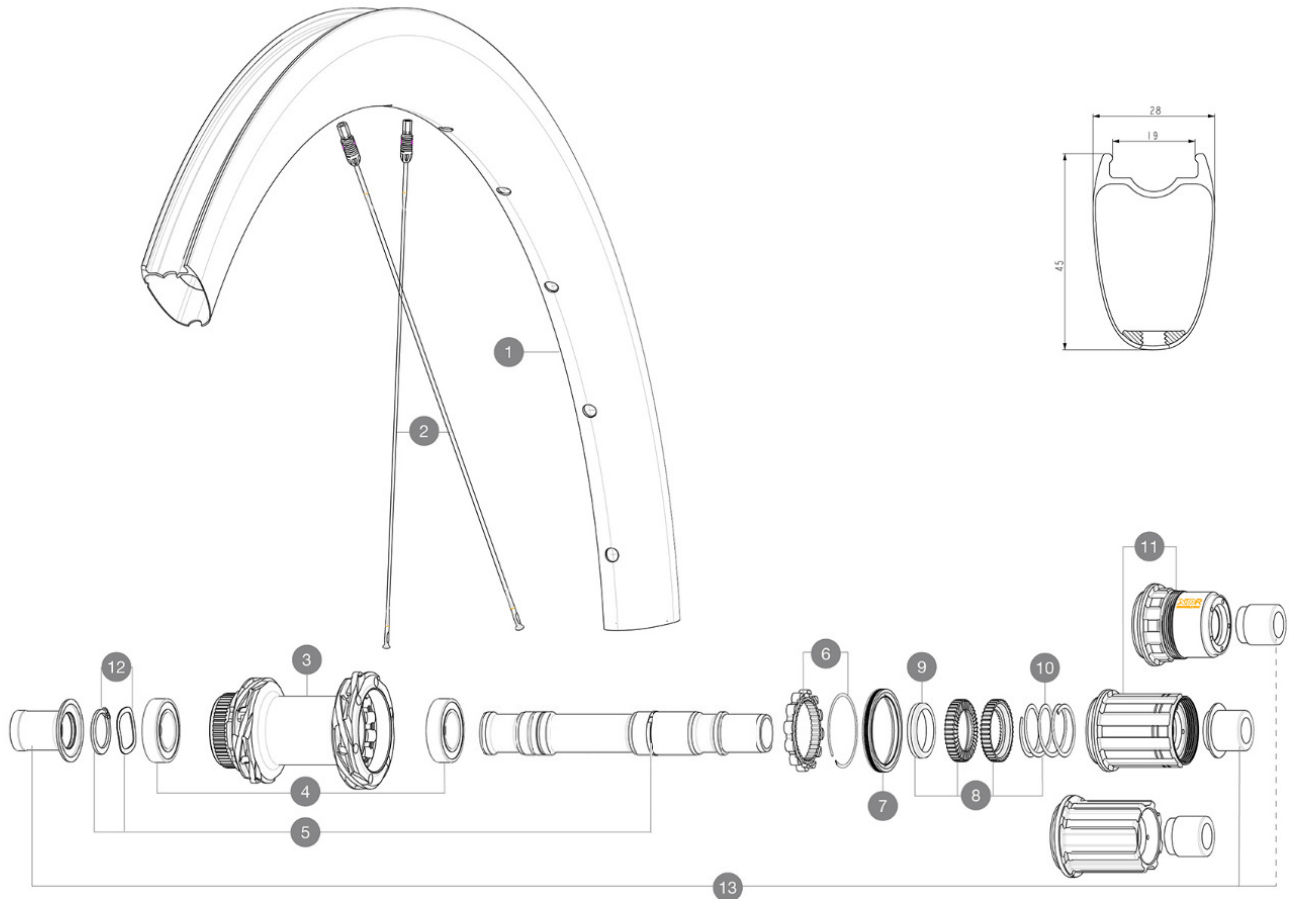
Recommended tyre sizes: 25 to 32 mm

Max. Pressure: see indication on wheel and tyre. If they differ, use the lowest of the 2

REFERENCES WHEELS

R41291 COS SLR45 CL 700 12X142 M11

R42071 COS SLR45 CL 700 12X142 XDR

**RIMS**

&NBSP::

1	V4095015	Kit Front/Rear rim Cosmic SLR 45 Disc MY22
----------	----------	--

SPOKES

2	V4163701	Kit 12 Front/Rear Cosmic SLR 45 Disc aero stainless spoke 27
----------	----------	--

HUB SHELLS

3	N/A	HUB BODY
4	M40076	HUB BEARINGS 17x30x7 6903 x 2
5	V00046431	KIT AXE ID360 142LIGHT CL+CIR
6	V2252701	KIT ID360 INSERT SHAPED EAR LOBE > 2017
7	V00063631	Kit ID360 seal version 2 (larger)
8	V2251701	KIT ID360 2 RATCHETS + SPRING + GREASE
9	V2500501	KIT ID360 3 PADS NOISE REDUCING
10	V2251801	KIT 3 ID360 ROAD SPRINGS
11	V3440101	ED11 Freewheel Body ID360
11	V3430101	HG11 Freewheel Body ID360
11	V2580101	FREEHUB BODY XD Road ID360
12	V2373001	KIT ADJUST. SYSTEM QRM AUTO ID360 for 17x30x7 bearing

OPTIONS

V2373401	KIT ID360 135/142 DCL L1 AXLE WITH CLIP
----------	---

ADAPTERS

13	V3811001	KIT ROAD ID360 RR CL ENDCAP (12MM)
	V2510901	ID360 EVO RrAxleAdpt12x135/150
	V2510801	ID360 V2 RrAxleAdapt9x135
	V2510701	ID360V2RrAxleAdapt12x142/148

MAVIC COSMIC SLR 45 DISC

DELIVERED WITH

UST valve and accessories (129 838 01)	
UST valve and accessories (129 838 01)	
User guide	
User guide	

COMPATIBILITY

Freewheel: Shimano/Sram, convertible to Campagnolo ED11, N3W and XD-R with optional driver bodies	
Front axle: 12x100 thru axle, easily convertible to quick release with optional adapters. Not compatible with 15mm through axles	
Freewheel body: convertible SRAM XD road (kit V2580101 sold separately)	
Rear axle: 12mm thru axle, convertible to Quick Release with optional adapters and axle replacement	
Freewheel body: convertible SHIMANO HG light road (kit V3850101 sold separately)	
Freewheel body: convertible SHIMANO MS (kit V3990101 sold separately)	
Freewheel body: convertible CAMPAGNOLO ED (kit V3440101 sold separately)	
Freewheel body: convertible CAMPAGNOLO N3W (kit V4270101 sold separately)	

Specifications

RIMS

- **Material** : 100% carbon fiber with UD² external layer
- **Material** : 100% carbon fiber with UD² external layer
- **Material** : 100% carbon fiber
- **Height** : 45 mm
- **Height** : 45 mm
- **Internal width** : 19 mm

Disc brake specific profile

Fore Carbon tapeless tubeless technology

- **Tire** : UST Tubeless and tubetype

• **Internal width** : 19 mm

Disc brake specific profile

• **ETRTO size** : 622x19TC

• **ETRTO size** : 622x19TC

• **Tire** : UST Tubeless and tubetype

Fore Carbon tapeless tubeless technology

UST tubeless technology

SPOKES

- **Material** : steel
- **Material** : steel
- **Shape** : straight pull, elliptical aero, double butted (patented)
- **Shape** : straight pull, elliptical aero, double butted (patented)
- **Nipples** : Fore integrated aluminum
- **Nipples** : Fore integrated aluminum
- **Count** : 24 front and rear
- **Count** : 24 front and rear
- **Lacing** : front and rear crossed 2, contactless
- **Lacing** : front and rear crossed 2, contactless

WHEEL HUB

- **Body** : aluminum
- Infinity hubs
- **Front and rear bodies** : aluminum
- **Axle material** : aluminum
- Instant Drive 360 freewheel technology
- QRM Auto bearing preload technology
- **Front** : Quick release and 12x100 through axle compatible
- **Rear** : Quick Release, 12x142 and 12x135 compatible

Hub available for Center Lock brake rotors only

• **Body design** : INFINITY

• **Disc standard** : Center Lock[®] only

• **Axle material** : aluminum

• **Axle size** : front 12x100 / rear 12x142 -

Convertible to quick release with included adapters

• **Axles** : Front 15X110 (Boost) or 15x100 ; Rear

12X148 (Boost) or 12x142

• **Freewheel** : Shimano HG road

• **Freewheel** : FTS-L steel

VERSIONS

• **Disc standard** : Center Lock[®] only

• **Freewheel** : Shimano/Sram

WHEEL WEIGHTS

785