

ASTM CATEGORY 3 : CROSS COUNTRY

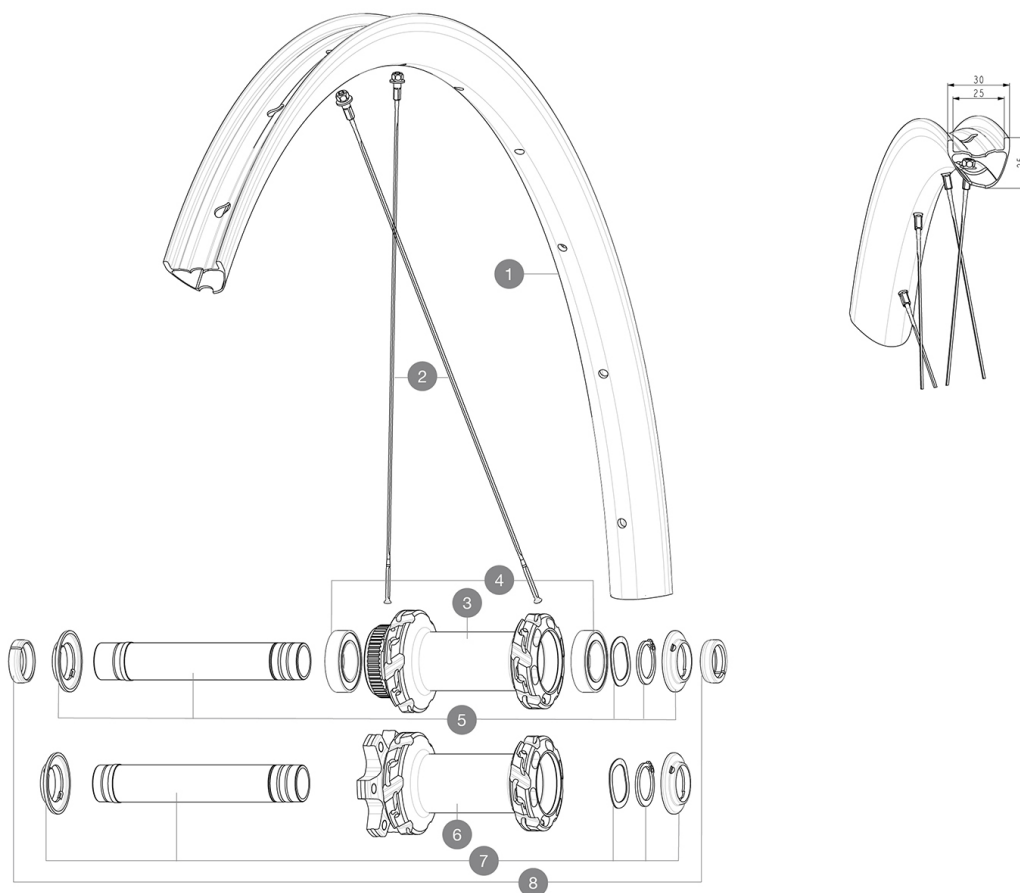
For a longer longevity of the wheel, Mavic recommends that the total weight supported by the wheels doesn't exceed 150kg, bike included

Maximum tyre pressure: 4.1bar/59PSI with a 28mm tyre - 2.45bar/36PSI with a 64mm tyre

REFERENCES WHEELS

F93071 XMAXSLULT 25 INT 29 BST

F93081 XMAXSLULT 25 CL 29 BST



RIMS



&NBSP;:

1	V00004831	Kit Front/Rear rim Crossmax SL Ultimate 29" 22
	V2700101	UST Tape 28mm for 25 to 27mm wide rims

SPOKES

2	V2389101	Kit 12Fr/Rr XmaxSL Ultimate spk293+np&w while stock last
2	V00065231	Kit 12 Front/Rear Crossmax SL Ultimate 29" butted stainless

HUB SHELLS

3	N/A	HUB BODY
4	V2500901	KIT BEARINGS 18x30x7 + WAVED WASHER + CLIP
5	V2375601	Kit 110mm axle QRM auto MTB from 2019 DCL
6	N/A	HUB BODY
7	V2372401	KIT 110mm AXLE QRM AUTO MTB > 2019

OPTIONS

V2374401	TORQUE CAPS 15*31 Adapter MTB QRM Auto > 2019 Frt HUB
----------	---

ADAPTERS

8	V2372501	15mm MTB Axle Cap QRM Auto From 2019
	99694101	ADAPTER Ft 15 to 9mm QR

MAVIC CROSSMAX SL ULTIMATE 25 29

DELIVERED WITH

UST valve and accessories (129 838 01)	
UST valve and accessories (129 838 01)	
Multifunction adjustment wrench (delivered with rear wheel) (325 423 01)	
Multifunction adjustment wrench (delivered with rear wheel) (325 423 01)	
Wheelbag (V24 801 01)	
Wheelbag (V24 801 01)	
2 replacement spokes with each wheel	
2 replacement spokes with each wheel	

COMPATIBILITY

Freewheel body: convertible SHIMANO MS (kit V3990101 sold separately)	
Front axle: 15x110 Boost thru axle	
Freewheel body: convertible SHIMANO HG MTB steel (kit V3790101 sold separately)	
Rear axle: 12x148 Boost thru axle	
Front axle: 15x110 Boost thru axle	

Specifications

RIMS

- **Material** : 100% carbon fiber with UD² external layer
- **Material** : 100% carbon fiber with UD² external layer
- **Height** : 25 mm
- **Drilling** : traditional
- **Internal width** : 25 mm
- **Drilling** : traditional
- **Internal width** : 25 mm
- Disc brake specific profile
- E-Bike specific rim profile
- **ETRTO size 29"** : 622x25TSS
- Hookless profile
- **ETRTO size 29"** : 622x25TSS
- Adaptive Layup Carbon technology
- **Tire** : clincher
- UST Tubeless Ready

SPOKES

- **Material** : steel
- **Material** : steel
- **Shape** : straight pull, flat, double butted
- **Shape** : straight pull, flat, double butted
- **Nipples** : aluminum, ABS
- **Nipples** : aluminum, ABS
- **Count** : 24 front and rear
- **Count** : 24 front and rear
- **Lacing** : front and rear crossed 2, contactless
- **Lacing** : front and rear crossed 2, contactless

WHEEL HUB

- Infinity hubs
- **Body** : aluminum
 - Instant Drive 360 freewheel technology
 - QRM Auto bearing preload technology
 - Hub available with 6-bolt or Center Lock[®] brake rotors
 - **Axles** : Front 15X110 Boost ; Rear 12X148 Boost
 - **Body design** : INFINITY
 - **Disc standard** : 6 Bolts only
 - **Axle material** : aluminum
 - **Rear body** : aluminum
 - **Axles** : Front 15X110 (Boost) or 15x100 ; Rear 12X148 (Boost) or 12x142
 - **Front** : Quick release, 12x100 and 15x100 through axle compatible
 - **Freewheel** : FTS-L steel

VERSIONS

- **Disc standard** : 6 Bolts or Center Lock[®]
- **Hub width** : Boost only (front 110, rear 148)
- **Freewheel** : SRAM XD, Shimano HG9, Shimano Micro-Spline

WHEEL WEIGHTS

615