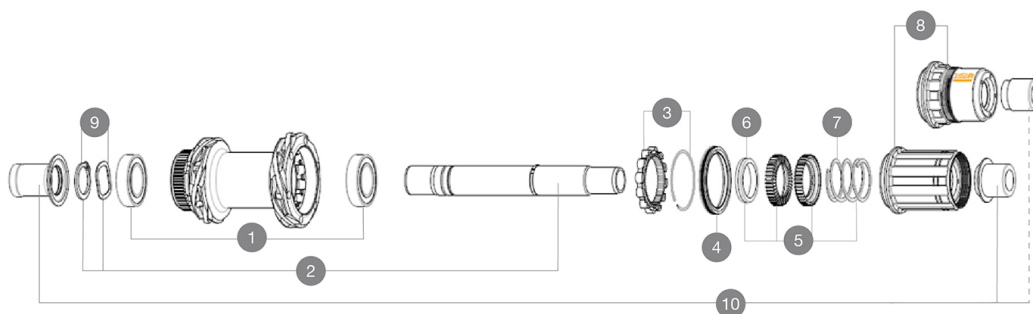


REFERENCES WHEELS

H44501 MR801INFSPRR CL 12X142 XDR 24H H44301 MR801INFSPRR CL 12X142 M11 24H



HUB SHELLS

1	M40076	HUB BEARINGS 17x30x7 6903 x 2
2	V2373401	KIT ID360 135/142 DCL L1 AXLE WITH CLIP
3	V2252701	KIT ID360 INSERT SHAPED EAR LOBE > 2017
4	V2251601	KIT ID360 SEAL + GREASE
5	V2251701	KIT ID360 2 RATCHETS + SPRING + GREASE
6	V2500501	KIT ID360 3 PADS NOISE REDUCING
7	V2251801	KIT 3 ID360 ROAD SPRINGS
8	V2580101	FREEHUB BODY XD Road ID360
8	V3430101	HG11 Freewheel Body ID360
9	V2373001	KIT ADJUST. SYSTEM QRM AUTO ID360 for 17x30x7 bearing

ADAPTERS

10	V3811001	KIT ROAD ID360 RR CL ENDCAP (12MM)
----	----------	------------------------------------

MAVIC MR801 INFINITY SP DISC

COMPATIBILITY

Freewheel: Shimano/Sram, convertible to Campagnolo ED11, N3W and XD-R with optional driver bodies	
Front axle: 12mm thru axle, easily convertible to quick release with optional adapters. Convertible to 15mm with complete axle replacement	
Rear axle: 12mm thru axle, convertible to Quick Release with optional adapters and axle replacement	
Maximum spoke width: 2,4mm	

Specifications

WHEEL HUB

Infinity hubs

- **Front and rear bodies** : aluminum
- **Axle material** : aluminum

Instant Drive 360 freewheel technology

QRM Auto bearing preload technology

- **Front** : Quick release and 12x100 through axle compatible
- **Rear** : Quick Release, 12x142 and 12x135 compatible

VERSIONS

- **Disc standard** : Center Lock® only
- **Front for disc brake** : 24, 28 and 32 holes
- **Rear for disc brake** : 24, 28 and 32 holes

WHEEL WEIGHTS