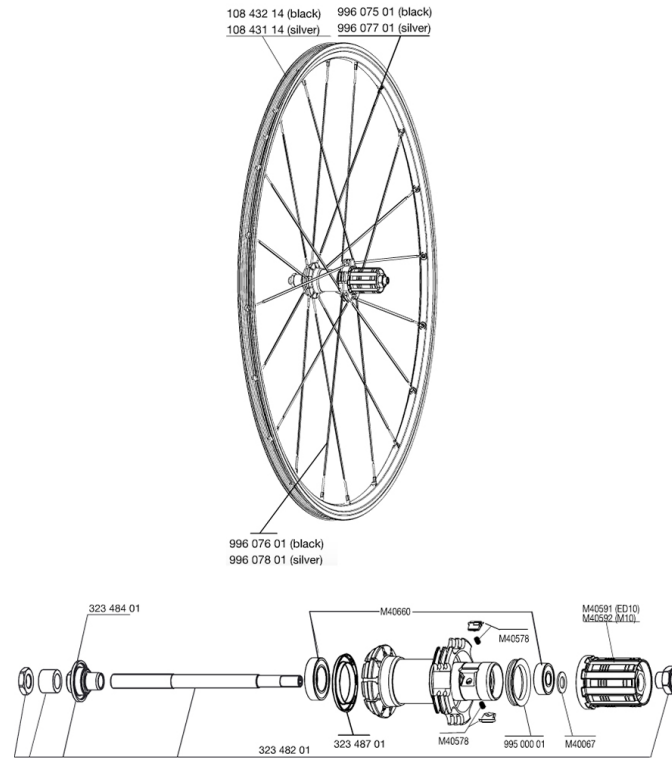


## REFERENZEN RÄDER



### RIMS



&NBSP;:

10843214	FR/RE.BLACK RIM AKSIUM 010
10843114	FR/RE.SILVER RIM AKSIUM 010

### SPOKES

99607501	F/NDR BLK SPK.AKSIUM 08 282
99607701	F/NDR SIL.SP.K.AKSIUM 08 282
99607601	DRV BLK SPK.AKSIUM 08 305mm
99607801	DRV SIL.SP.K.AKSIUM 08 305mm

### HUB SHELLS

32348401	EXPANSIBLE BEARINGS SUPPORT
99500001	FTSL/FTSX FREEHUB BODY SEAL
M40578	FTSL PAWLS KIT (ROAD WHEELS)
32348201	REAR AXLE COSMOS II/KSYRIUM EQ
M40592	CORPS DE ROUE LIBRE FTS "L" M10
M40067	10 SPACERS FRW/HUB BODY
32348701	HUB CAP XMAX END/KSY EQ/COSMOS
M40660	REAR HUB 608+6001 BEARINGS
M40591	CORPS DE ROUE LIBRE FTS "L" ED10

# **MAVIC** *AKSIUM 08*

## ***Specifications***

RADGEWICHTE